

Saizen[®]

[somatotropin (rDNA origin) for injection]

For subcutaneous or intramuscular injection

DESCRIPTION

Saizen[®] [somatotropin (rDNA origin) for injection] is a human growth hormone produced by recombinant DNA technology. Saizen[®] has 191 amino acid residues and a molecular weight of 22,125 daltons. Its amino acid sequence and structure are identical to the dominant form of human pituitary growth hormone. Saizen[®] is produced by a mammalian cell line (mouse C127) that has been modified by the addition of the human growth hormone gene. Saizen[®], with the correct three-dimensional configuration, is secreted directly through the cell membrane into the cell-culture medium for collection and purification.

Saizen[®] is a highly purified preparation. Biological potency is determined by measuring the increase in body weight induced in hypophysectomized rats.

Saizen[®] is a sterile, non-pyrogenic, white, lyophilized powder intended for subcutaneous or intramuscular injection after reconstitution with Bacteriostatic Water for Injection, USP (0.9% Benzyl Alcohol). The reconstituted solution has a pH of 6.5 to 8.5.

Saizen[®] is available in 5 mg and 8.8 mg vials. The quantitative composition per vial is:

5 mg vial:

Each vial contains 5 mg somatotropin, 34.2 mg sucrose and 1.16 mg O-phosphoric acid. The pH is adjusted with sodium hydroxide or O-phosphoric acid.

8.8 mg vial:

Each vial contains 8.8 mg somatotropin, 60.2 mg sucrose and 2.05 mg O-phosphoric acid. The pH is adjusted with sodium hydroxide or O-phosphoric acid.

The diluent is Bacteriostatic Water for Injection, USP containing 0.9% Benzyl Alcohol added as an antimicrobial preservative.

Saizen[®] is also available in the click.easy[®] reconstitution device. The quantitative composition per vial contained in the click.easy[®] reconstitution device is:

8.8 mg vial contained in the click.easy[®] device:

Each vial contains 8.8 mg somatotropin, 60.2 mg sucrose and 2.05 mg O-phosphoric acid. The pH is adjusted with sodium hydroxide or O-phosphoric acid.

4 mg vial contained in the click.easy[®] device:

Each vial contains 4 mg somatotropin, 27.3 mg sucrose and 0.9 mg O-phosphoric acid. The pH is adjusted with sodium hydroxide or O-phosphoric acid.

The diluent in the click.easy[®] device contains 0.3% (w/v) metacresol in Sterile Water for Injection added as an antimicrobial preservative. The reconstituted solution has a pH of 6.5 to 8.5.

CLINICAL PHARMACOLOGY

General

In vitro, preclinical, and clinical testing have demonstrated that Saizen[®] [somatotropin (rDNA origin) for injection] is therapeutically equivalent to pituitary-derived human growth hormone. Clinical studies in normal adults also demonstrated equivalent pharmacokinetics.

Actions that have been demonstrated for Saizen[®], somatrem, and/or pituitary-derived human growth hormone include:

A. Tissue Growth-

1. **Skeletal Growth:** Saizen[®] stimulates skeletal growth in prepubertal children with pituitary growth hormone deficiency. Skeletal growth is accomplished at the epiphyseal plates at the ends of long bone. Growth and metabolism of epiphyseal plate cells are directly stimulated by growth hormone and one of its mediators, insulin-like growth factor-I. Serum levels of insulin-like growth factor-I (IGF-I) are low in children and adolescents who are growth hormone deficient, but increase during treatment with Saizen[®]. Linear growth continues until the growth plates fuse at the end of puberty.
2. **Cell Growth:** Treatment with pituitary-derived human growth hormone results in an increase in both the number and the size of skeletal muscle cells.
3. **Organ Growth:** Growth hormone of human pituitary origin influences the size and function of internal organs and increases red cell mass. Saizen[®] has been shown to promote similar organ weight increase to pituitary human growth hormone in an adequate animal model.

B. **Protein Metabolism-**Linear growth is facilitated in part by growth hormone-stimulated protein synthesis. This is reflected by increased cellular uptake of amino acids and nitrogen retention as demonstrated by a decline in urinary nitrogen excretion and blood urea nitrogen during growth hormone therapy.

C. **Carbohydrate Metabolism-**Growth hormone is a modulator of carbohydrate metabolism. Children with inadequate secretion of growth hormone sometimes experience fasting hypoglycemia that is improved by treatment with growth hormone. Saizen[®] therapy may decrease glucose tolerance. Administration of Saizen[®] to normal adults and patients with growth hormone deficiency resulted in transient increases in mean serum fasting and postprandial insulin levels. However, glucose levels remained in the normal range.

D. **Lipid Metabolism-**Acute administration of human growth hormone to humans results in lipid mobilization. Nonesterified fatty acids increase in plasma within one hour of Saizen[®] administration. In growth hormone deficient patients, long-term growth hormone administration often decreases body fat. Mean cholesterol levels decreased in patients treated with Saizen[®]. The clinical significance of this is unknown.

E. **Mineral Metabolism-** Growth hormone administration results in the retention of total body potassium, phosphorus, and sodium. Serum calcium levels appear to be unaffected.

F. **Connective Tissue/Bone Metabolism-**Growth hormone stimulates the synthesis of chondroitin sulfate and collagen as well as the urinary excretion of hydroxyproline.

Pharmacokinetics

Absorption - The absolute bioavailability of recombinant human growth hormone (r-hGH) after subcutaneous administration ranges between 70-90%.

Distribution - The mean volume of distribution of r-hGH given to healthy volunteers was estimated to be 12.0 ± 1.08 L.

Metabolism - The metabolic fate of somatropin involves classical protein catabolism in both the liver and kidneys. In renal cells, at least a portion of the breakdown products is returned to the systemic circulation. The mean half-life of intravenous somatropin in normal males is 0.6 hours, whereas subcutaneously and intramuscularly administered somatropin has a half-life of 1.75 and 3.4 hours, respectively. The longer half-life observed after subcutaneous or intramuscular administration is due to slow absorption from the injection site.

Excretion - The mean clearance of intravenously administered r-hGH in six normal male volunteers was 14.6 ± 2.8 L/hr.

Special Populations

Pediatric - The pharmacokinetics of r-hGH is similar in children and adults.

Gender - No gender studies have been performed in children. In adults, the clearance of r-hGH in both men and women tends to be similar.

Race - No data are available.

Renal Insufficiency - Children and adults with chronic renal failure tend to have decreased clearance of r-hGH as compared to normals.

Hepatic Insufficiency - A reduction in r-hGH clearance has been noted in patients with hepatic dysfunction as compared with normal controls.

CLINICAL STUDIES

ADULT GROWTH HORMONE DEFICIENCY (GHD)

A multicenter, randomized, double-blind, placebo-controlled clinical trial was conducted in 115 adults with GHD comparing the effects of Saizen[®] [somatropin (rDNA origin) for injection] and placebo on body composition. Patients in the active treatment arm were treated with Saizen[®] at an initial dose of 0.005 mg/kg/day for one month which was increased to 0.01 mg/kg/day if tolerated for the remaining five months of the study. The primary endpoint was the change from baseline in lean body mass (LBM) measured by dual energy X-ray absorptiometry (DXA) after 6 months. Treatment with Saizen[®] produced significant ($p < 0.001$) increases from baseline in LBM compared to placebo (Table 1).

Table 1 – Lean Body Mass (kg) by DXA

	Saizen [®] (n=52)	Placebo (n=51)
Baseline (mean)	47.7	54.0
Change from baseline at 6 months (mean)	+1.9	-0.2
Treatment difference (mean)	2.1	
95% confidence interval	(1.3, 2.9)	
p-value	<0.001	

Sixty-seven (58%) of the 115 randomized patients were male. The adjusted mean treatment difference on the increase in LBM from baseline was significantly greater in males (2.9 kg) than females (0.8 kg).

Ninety-seven (84%) of the 115 randomized patients had adult onset (AO) GHD. The adjusted mean treatment differences on the increase in LBM from baseline were not significantly different in AO GHD (2.1 kg) compared with childhood onset (CO) GHD (1.0 kg) patients. However, there were relatively few patients with CO GHD (n=18) on which to base the comparison.

Analysis of the treatment difference on the change from baseline in total fat mass (by DXA) revealed a significant decrease (p<0.001) in the Saizen[®]-treated group compared to the placebo group. Saizen[®] also produced beneficial effects on several bone turnover markers including bone specific alkaline phosphatase, c-terminal propeptide, osteocalcin, urine deoxypyridinoline and iPTH.

One hundred and eleven patients were enrolled in an open label follow up study and treated with Saizen[®] for an additional 6-30 months. During this period, the beneficial effects on LBM and total fat mass achieved during the initial six months of treatment were maintained.

INDICATIONS AND USAGE

Pediatric Patients

Saizen[®] [somatotropin (rDNA origin) for injection] is indicated for the long-term treatment of children with growth failure due to inadequate secretion of endogenous growth hormone.

Adult Patients

Saizen[®] [somatotropin (rDNA origin) for injection] is indicated for replacement of endogenous growth hormone in adults with growth hormone deficiency who meet either of the following two criteria:

Adult Onset: Patients who have growth hormone deficiency, either alone or associated with multiple hormone deficiencies (hypopituitarism), as a result of pituitary disease, hypothalamic disease, surgery, radiation therapy, or trauma; or

Childhood Onset: Patients who were growth hormone deficient during childhood as a result of congenital, genetic, acquired, or idiopathic causes.

In general, confirmation of the diagnosis of adult growth hormone deficiency in both groups usually requires an appropriate growth hormone stimulation test. However, confirmatory growth

hormone stimulation testing may not be required in patients with congenital/genetic growth hormone deficiency or multiple pituitary hormone deficiencies due to organic disease.

CONTRAINDICATIONS

Saizen[®] is contraindicated in patients with a known hypersensitivity to somatropin or any of its excipients.

Saizen[®] reconstituted with Bacteriostatic Water for Injection, USP (0.9% Benzyl Alcohol) should not be administered to patients with a known sensitivity to Benzyl Alcohol (see WARNINGS).

Somatropin should not be used for growth promotion in pediatric patients with closed epiphyses.

Somatropin is contraindicated in patients with active proliferative or severe non-proliferative diabetic retinopathy.

In general, somatropin is contraindicated in the presence of active malignancy. Any pre-existing malignancy should be inactive and its treatment complete prior to instituting therapy with somatropin. Somatropin should be discontinued if there is evidence of recurrent activity. Since growth hormone deficiency may be an early sign of the presence of a pituitary tumor (or, rarely, other brain tumors), the presence of such tumors should be ruled out prior to initiation of treatment. Somatropin should not be used in patients with any evidence of progression or recurrence of an underlying intracranial tumor.

Somatropin should not be used to treat patients with acute critical illness due to complications following open heart surgery, abdominal surgery or multiple accidental trauma, or those with acute respiratory failure. Two placebo-controlled clinical trials in non-growth hormone deficient adult patients (n=522) with these conditions in intensive care units revealed a significant increase in mortality (41.9% vs. 19.3%) among somatropin-treated patients (doses 5.3-8 mg/day) compared to those receiving placebo (see WARNINGS).

Somatropin is contraindicated in patients with Prader-Willi syndrome who are severely obese or have severe respiratory impairment (see WARNINGS). Unless patients with Prader-Willi syndrome also have a diagnosis of growth hormone deficiency, Saizen[®] is not indicated for the long term treatment of pediatric patients who have growth failure due to genetically confirmed Prader-Willi syndrome.

WARNINGS

There have been reports of fatalities after initiating therapy with somatropin in pediatric patients with Prader-Willi syndrome who had one or more of the following risk factors: severe obesity, history of upper airway obstruction or sleep apnea, or unidentified respiratory infection. Male patients with one or more of these factors may be at greater risk than females. Patients with Prader-Willi syndrome should be evaluated for signs of upper airway obstruction and sleep apnea before initiation of treatment with somatropin. If, during treatment with somatropin, patients show signs of upper airway obstruction (including onset of or increased snoring) and/or new onset sleep apnea, treatment should be interrupted. All patients with Prader-Willi syndrome treated with somatropin should also have effective weight control and be monitored for signs of respiratory infection, which should be diagnosed as early as possible and treated aggressively.

(see CONTRAINDICATIONS). Unless patients with Prader-Willi syndrome also have a diagnosis of growth hormone deficiency, Saizen[®] is not indicated for the long term treatment of pediatric patients who have growth failure due to genetically confirmed Prader-Willi syndrome.

Benzyl Alcohol as a preservative in Bacteriostatic Water for Injection, USP has been associated with toxicity in newborns. If sensitivity to the diluent occurs, Saizen[®] [somatropin (rDNA origin) for injection] may be reconstituted with Sterile Water for Injection, USP. When Saizen[®] is reconstituted in this manner, the reconstituted solution should be used immediately and any unused solution should be discarded.

See CONTRAINDICATIONS for information on increased mortality in patients with acute critical illness due to complications following open heart surgery, abdominal surgery or multiple accidental trauma, or those with acute respiratory failure. The safety of continuing somatropin treatment in patients receiving replacement doses for approved indications who concurrently develop these illnesses has not been established. Therefore, the potential benefit of treatment continuation with somatropin in patients having acute critical illnesses should be weighed against the potential risk.

PRECAUTIONS

General:

Saizen[®] [somatropin (rDNA origin) for injection] therapy should be carried out under the regular guidance of a physician who is experienced in the diagnosis and management of pediatric patients with growth hormone deficiency or adult patients with either childhood-onset or adult-onset growth hormone deficiency.

Treatment with somatropin may decrease insulin sensitivity, particularly at higher doses in susceptible patients. As a result, previously undiagnosed impaired glucose tolerance and overt diabetes mellitus may be unmasked during somatropin treatment. Therefore, glucose levels should be monitored periodically in all patients treated with somatropin, especially in those with risk factors for diabetes mellitus, such as obesity (including obese patients with Prader-Willi syndrome), Turner syndrome, or a family history of diabetes mellitus. Patients with preexisting type 1 or type 2 diabetes mellitus or impaired glucose tolerance should be monitored closely during somatropin therapy. The doses of antihyperglycemic drugs (i.e., insulin or oral agents) may require adjustment when somatropin therapy is instituted in these patients.

Patients with preexisting tumors or growth hormone deficiency secondary to an intracranial lesion should be examined routinely for progression or recurrence of the underlying disease process. In pediatric patients, clinical literature has revealed no relationship between somatropin replacement therapy and central nervous system (CNS) tumor recurrence or new extracranial tumors. However, in childhood cancer survivors, an increased risk of a second neoplasm has been reported in patients treated with somatropin after their first neoplasm. Intracranial tumors, in particular meningiomas, in patients treated with radiation to the head for their first neoplasm, were the most common of these second neoplasms. In adults, it is unknown whether there is any relationship between somatropin replacement therapy and CNS tumor recurrence.

Intracranial hypertension (IH) with papilledema, visual changes, headache, nausea, and/or vomiting has been reported in a small number of patients treated with somatropin products. Symptoms usually occurred within the first eight (8) weeks after the initiation of somatropin

therapy. In all reported cases, IH-associated signs and symptoms rapidly resolved after cessation of therapy or a reduction of the somatropin dose. Funduscopic examination should be performed routinely before initiating treatment with somatropin to exclude preexisting papilledema, and periodically during the course of somatropin therapy. If papilledema is observed by funduscopy during somatropin treatment, treatment should be stopped. If somatropin-induced IH is diagnosed, treatment with somatropin can be restarted at a lower dose after IH-associated signs and symptoms have resolved. Patients with Turner syndrome, chronic renal insufficiency, and Prader-Willi syndrome may be at increased risk for the development of IH.

In patients with hypopituitarism (multiple hormone deficiencies), standard hormonal replacement therapy should be monitored closely when somatropin therapy is administered.

Undiagnosed/untreated hypothyroidism may prevent an optimal response to somatropin, in particular, the growth response in children. Patients with Turner syndrome have an inherently increased risk of developing autoimmune thyroid disease and primary hypothyroidism. In patients with growth hormone deficiency, central (secondary) hypothyroidism may first become evident or worsen during somatropin treatment. Therefore, patients treated with somatropin should have periodic thyroid function tests and thyroid hormone replacement therapy should be initiated or appropriately adjusted when indicated.

Patients should be monitored carefully for any malignant transformation of skin lesions.

When somatropin is administered subcutaneously at the same site over a long period of time, tissue atrophy may result. This can be avoided by rotating the injection site.

As for any protein, local or systemic allergic reactions may occur. Parents/Patient should be informed that such reactions are possible and that prompt medical attention should be sought if allergic reactions occur.

Pediatric Patients (see PRECAUTIONS, General):

Slipped capital femoral epiphysis may occur more frequently in patients with endocrine disorders (including pediatric growth hormone deficiency and Turner syndrome) or in patients undergoing rapid growth. Any pediatric patient with the onset of a limp or complaints of hip or knee pain during somatropin therapy should be carefully evaluated.

Progression of scoliosis can occur in patients who experience rapid growth. Because somatropin increases growth rate, patients with a history of scoliosis who are treated with somatropin should be monitored for progression of scoliosis. However, somatropin has not been shown to increase the occurrence of scoliosis. Skeletal abnormalities including scoliosis are commonly seen in untreated Turner syndrome patients. Scoliosis is also commonly seen in untreated patients with Prader-Willi syndrome. Physicians should be alert to these abnormalities, which may manifest during somatropin therapy.

Adult Patients (see PRECAUTIONS, General):

Patients with epiphyseal closure who were treated with somatropin replacement therapy in childhood should be reevaluated according to the criteria in INDICATIONS AND USAGE before continuation of somatropin therapy at the reduced dose level recommended for growth hormone deficient adults. Fluid retention during somatropin replacement therapy in adults may occur. Clinical manifestations of fluid retention are usually transient and dose dependent (see ADVERSE REACTIONS).

Experience with prolonged treatment in adults is limited.

Information for Patients:

Patients being treated with Saizen[®] (and/or their parents) should be informed about the potential benefits and risks associated with Saizen[®] treatment. This information is intended to better educate patients (and caregivers); it is not a disclosure of all possible adverse or intended effects.

Patients and caregivers who will administer Saizen[®] should receive appropriate training and instruction on the proper use of Saizen[®] from the physician or other suitably qualified health care professional. A puncture-resistant container for the disposal of used syringes and needles should be strongly recommended. Patients and/or parents should be thoroughly instructed in the importance of proper disposal, and cautioned against any reuse of needles and syringes. This information is intended to aid in the safe and effective administration of the medication.

Laboratory Tests:

Serum levels of inorganic phosphorus, alkaline phosphatase, parathyroid hormone (PTH), and IGF I may increase with somatropin therapy.

Drug Interactions:

Somatropin inhibits 11 β -hydroxysteroid dehydrogenase type 1 (11 β HSD-1) in adipose/hepatic tissue and may significantly impact the metabolism of cortisol and cortisone. As a consequence, in patients treated with somatropin, previously undiagnosed central (secondary) hypoadrenalism may be unmasked requiring glucocorticoid replacement therapy. In addition, patients treated with glucocorticoid replacement therapy for previously diagnosed hypoadrenalism may require an increase in their maintenance or stress doses; this may be especially true for patients treated with cortisone acetate and prednisone since conversion of these drugs to their biologically active metabolites is dependent on the activity of the 11 β HSD-1 enzyme.

Excessive glucocorticoid therapy may attenuate the growth promoting effects of somatropin in children. Therefore, glucocorticoid replacement therapy should be carefully adjusted in children with concomitant GH and glucocorticoid deficiency to avoid both hypoadrenalism and an inhibitory effect on growth.

There was no evidence in the controlled studies of an interaction between Saizen[®] and any of the drugs commonly used in the treatment of routine pediatric problems/illnesses.

Limited published data indicate that somatropin treatment increases cytochrome P450 (CP450) mediated antipyrine clearance in man. These data suggest that somatropin administration may alter the clearance of compounds known to be metabolized by CP450 liver enzymes (e.g., corticosteroids, sex steroids, anticonvulsants, cyclosporine). Careful monitoring is advisable when somatropin is administered in combination with other drugs known to be metabolized by CP450 liver enzymes. However, formal drug interaction studies have not been conducted.

In adult women on oral estrogen replacement, a larger dose of somatropin may be required to achieve the defined treatment goal (see DOSAGE AND ADMINISTRATION).

In patients with diabetes mellitus requiring drug therapy, the dose of insulin and/or oral agent may require adjustment when somatropin therapy is initiated (see PRECAUTIONS, *General*).

Carcinogenesis, Mutagenesis, Impairment of Fertility:

Long-term animal studies for carcinogenicity have not been performed with Saizen[®]. There is no evidence from animal studies to date of Saizen[®]-induced mutagenicity or impairment of fertility.

Pregnancy:

Teratogenic Effects: Pregnancy Category B. Reproduction studies have been performed in rats and rabbits at doses up to 31 and 62 times, respectively, the human (child) weekly dose based on body surface area. The results have revealed no evidence of impaired fertility or harm to the fetus due to Saizen[®]. There are, however, no adequate and well controlled studies in pregnant women. Because animal reproduction studies are not always predictive of human response, this drug should be used during pregnancy only if clearly needed.

Nursing Women:

It is not known whether Saizen[®] is excreted in human milk. Because many drugs are excreted in human milk, caution should be exercised when Saizen[®] is administered to a nursing woman.

Geriatric Use:

The safety and effectiveness of Saizen[®] in patients aged 65 and over has not been evaluated in clinical studies. Elderly patients may be more sensitive to the action of Saizen[®], and therefore may be more prone to develop adverse reactions. A lower starting dose and smaller dose increments should be considered for older patients (see DOSING AND ADMINISTRATION).

ADVERSE REACTIONS

Growth Hormone Deficient Pediatric Patients

As with all protein pharmaceuticals, a small percentage of patients may develop antibodies to the protein. Anti-growth hormone (GH) antibody capacities below 2 mg/L have not been associated with growth attenuation. In some cases when binding capacity exceeds 2 mg/L, growth attenuation has been described. In clinical studies with Saizen[®] involving 280 patients (204 naive and 76 transfer patients), one patient at 6 months of therapy developed anti-GH antibodies with binding capacities exceeding 2 mg/L. Despite the high binding capacity, these antibodies were not growth attenuating. The patient was subsequently shown to have a hGH-N gene defect. Thus, genetic analysis should be undertaken in any patient in whom anti-GH antibodies with high binding capacities occur. No antibodies against proteins of the host cells were detected in the sera of patients treated up to five years.

Any patient with well-documented growth hormone deficiency who fails to respond to therapy should be tested for antibodies to human growth hormone and for thyroid status.

In clinical studies in which Saizen[®] was administered to growth hormone deficient children, the following events were infrequently seen: local reactions at the injection site (such as pain, numbness, redness and swelling), hypothyroidism, hypoglycemia, seizures, exacerbation of preexisting psoriasis and disturbances in fluid balance.

Leukemia has been reported in a small number of growth hormone deficient patients treated with growth hormone. It is uncertain whether this increased risk is related to the pathology of growth hormone deficiency itself, growth hormone therapy, or other associated treatments such as

radiation therapy for intracranial tumors. So far, epidemiological data fail to confirm the hypothesis of a relationship between growth hormone therapy and leukemia.

Growth Hormone Deficient Adult Patients

During the 6 month placebo-controlled study, adverse events were reported in 56 patients (93.3%) in the somatropin-treated group and 42 patients (76.4%) in the placebo-treated group. Adverse events with an incidence of $\geq 5\%$ in Saizen[®]-treated patients which were more frequent in Saizen[®]-treated patients compared with placebo-treated patients are listed in Table 2. Arthralgia, myalgia, peripheral edema, other types of edema, carpal tunnel syndrome, paraesthesia and hypoaesthesia were common in the somatropin-treated patients and reported more frequently than in the placebo group. These types of adverse events are thought to be related to the fluid accumulating effects of somatropin. During the placebo-controlled portion of the study, approximately 10% of patients without preexisting diabetes mellitus or impaired glucose tolerance treated with somatropin manifested mild, but persistent, abnormalities of glucose tolerance, compared with none in the placebo group. During the open label phase of the study, approximately 10% of patients treated with somatropin required a small upward adjustment of thyroid hormone replacement therapy for preexisting central hypothyroidism and 1 patient was newly diagnosed with central hypothyroidism. In addition, during the open label phase of the study, when all patients were being treated with somatropin, two patients with preexisting central hypoadrenalism required upward titration of hydrocortisone maintenance therapy which was considered to be suboptimal (unrelated to intercurrent stress, surgery or disease), and 1 patient was diagnosed *de novo* with central adrenal insufficiency after six months of somatropin treatment. Anti-GH antibodies were not detected.

Table 2 Adverse Events with $\geq 5\%$ Overall Incidence in Saizen[®]-Treated Patients Which Were More Frequent in Saizen[®]-Treated Patients Compared with Placebo-Treated Patients During a 6 Month Study

Adverse Event	Saizen-Treated (N=60)	Placebo (N=55)
Arthralgia	14(23.3%)	7(12.7%)
Headache	11(18.3%)	8(14.5%)
Influenza-like symptoms	9(15%)	3(5.5%)
Edema peripheral	9(15%)	2(3.7)
Back pain	6(10%)	5(9.1%)
Myalgia	5(8.3%)	2(3.6%)
Rhinitis	5(8.3%)	2(3.6%)
Dizziness	4(6.7%)	3(5.5%)
Upper respiratory tract infection	4(6.7%)	2(3.6%)
Paraesthesia	4(6.7%)	1(1.8%)
Hypoaesthesia	4(6.7%)	0
Edema dependent	3(5%)	2(3.6%)
Nausea	3(5%)	2(3.6%)
Skeletal Pain	3(5%)	1(1.8%)
Carpal tunnel syndrome	3(5%)	1(1.8%)

Edema generalized	3(5%)	0
Chest pain	3(5%)	0
Depression	3(5%)	0
Hypothyroidism	3(5%)	0
Insomnia	3(5%)	0

N = number of patients

The adverse event pattern observed during the open label phase of the study was similar to the one presented above.

OVERDOSAGE

Short-term overdosage could lead initially to hypoglycemia and subsequently to hyperglycemia. Moreover, overdose with somatotropin is likely to cause fluid retention.

Long-term overdosage could result in signs and symptoms of gigantism and/or acromegaly consistent with the known effects of excess human growth hormone.

DOSAGE AND ADMINISTRATION

Pediatric Growth Hormone Deficiency (GHD)

Saizen[®] [somatotropin (rDNA origin) for injection] dosage and schedule of administration should be individualized for each patient. The recommended weekly dosage is 0.18 mg/kg of body weight. It should be divided into equal doses given either on 3 alternate days, 6 times per week or daily. The subcutaneous route of administration is preferable; intramuscular injection is also acceptable.

Treatment with Saizen[®] of growth failure due to growth hormone deficiency should be discontinued when the epiphyses are fused. Patients who fail to respond adequately while on Saizen[®] therapy should be evaluated to determine the cause of unresponsiveness.

Adult Growth Hormone Deficiency (GHD)

Based on the weight-based dosing utilized in the original pivotal study described herein, the recommended dosage at the start of therapy is not more than 0.005 mg/kg given as a daily subcutaneous injection. The dosage may be increased to not more than 0.01 mg/kg/day after 4 weeks according to individual patient requirements. Clinical response, side effects, and determination of age- and gender-adjusted serum IGF-I levels may be used as guidance in dose titration.

Alternatively, taking into account more recent literature, a starting dose of approximately 0.2 mg/day (range, 0.15-0.3 mg/day) may be used without consideration of body weight. This dose can be increased gradually every 1-2 months by increments of approximately 0.1-0.2 mg/day, according to individual patient requirements based on the clinical response and serum IGF-I concentrations. During therapy, the dose should be decreased if required by the occurrence of adverse events and/or serum IGF-I levels above the age- and gender-specific normal range. Maintenance dosages vary considerably from person to person.

A lower starting dose and smaller dose increments should be considered for older patients, who are more prone to the adverse effects of somatropin than younger individuals. In addition, obese individuals are more likely to manifest adverse effects when treated with a weight-based regimen. In order to reach the defined treatment goal, estrogen-replete women may need higher doses than men. Oral estrogen administration may increase the dose requirements in women.

Drug Preparation Instructions-Vials

To prevent possible contamination, wipe the rubber vial stopper with an antiseptic solution before puncturing it with the needle. It is recommended that Saizen[®] be administered using sterile, disposable syringes and needles. The syringes should be of small enough volume that the prescribed dose can be drawn from the vial with reasonable accuracy.

After determining the appropriate patient dose, reconstitute each vial of Saizen[®] as follows: 5 mg vial with 1-3 mL of Bacteriostatic Water for Injection, USP (Benzyl Alcohol preserved); 8.8 mg vial with 2-3 mL of Bacteriostatic Water for Injection, USP (Benzyl Alcohol preserved). Approximately 10% mechanical loss can be associated with reconstitution and multidose administration. For use in patients sensitive to the diluent, see “WARNINGS.”

To reconstitute Saizen[®], inject the diluent into the vial of Saizen[®] aiming the liquid against the glass vial wall. Swirl the vial with a GENTLE rotary motion until contents are dissolved completely. DO NOT SHAKE. Because Saizen[®] growth hormone is a protein, shaking can result in a cloudy solution. The Saizen[®] solution should be clear immediately after reconstitution. DO NOT INJECT Saizen[®] if the reconstituted product is cloudy immediately after reconstitution or refrigeration. Occasionally, after refrigeration, small colorless particles may be present in the Saizen[®] solution. This is not unusual for proteins like Saizen[®].

Drug Preparation Instructions-click.easy[®] cartridges

For drug preparation instructions for Saizen[®] click.easy[®] cartridges, please refer to the instructions for use provided with the click.easy[®] reconstitution device.

STABILITY AND STORAGE

Before Reconstitution - Saizen[®] [somatropin (rDNA origin) for injection] should be stored at room temperature (15°-30°C/59°-86°F). Expiration dates are stated on the labels.

After Reconstitution - Saizen[®] 5 mg and 8.8 mg vials reconstituted with Bacteriostatic Water for Injection, USP (0.9% Benzyl Alcohol) provided should be stored under refrigeration (2°-8°C/36°-46°F) for up to 14 days.

Saizen[®] click.easy[®] cartridges reconstituted with the diluent containing 0.3% (w/v) metacresol in Sterile Water for Injection should be stored under refrigeration (2°-8°C/36°-46°F) for up to 21 days.

Avoid freezing reconstituted vials or cartridges of Saizen[®].

HOW SUPPLIED

Saizen can be administered using (1) a standard sterile, disposable syringe and needle, (2) a compatible Saizen[®] needle-free injection device or (3) compatible Saizen[®] needle injection device. For proper use, refer to the Instructions for Use provided with the administration device.

Saizen[®] [somatropin (rDNA origin) for injection] is a sterile, non-pyrogenic, white, lyophilized powder supplied in packages containing:

1 vial of 5 mg Saizen[®] and 1 vial of 10 mL Bacteriostatic Water for Injection, USP (0.9% Benzyl Alcohol) NDC 44087-1005-2

1 vial of 8.8 mg Saizen[®] and 1 vial of 10 mL Bacteriostatic Water for Injection, USP (0.9% Benzyl Alcohol) NDC 44087-1088-1

1 click.easy[®] cartridge of 4 mg (1.5 mg/mL) Saizen[®] and 2.66 mL diluent containing 0.3% (w/v) metacresol in Sterile Water for Injection NDC 44087-0015-1

5 click.easy[®] cartridges of 4 mg (1.5 mg/mL) Saizen[®] and 2.66 mL diluent containing 0.3% (w/v) metacresol in Sterile Water for Injection NDC 44087-0015-5

1 click.easy[®] cartridge of 8.8 mg (5.83 mg/mL) Saizen[®] and 1.51 mL diluent containing 0.3% (w/v) metacresol in Sterile Water for Injection NDC 44087-1080-1

5 click.easy[®] cartridges of 8.8mg (5.83 mg/mL) Saizen[®] and 1.51 mL diluent containing 0.3% (w/v) metacresol in Sterile Water for Injection NDC 44087-1080-2

1 click.easy[®] cartridge of 8.8 mg (8 mg/mL) Saizen[®] and 1.10 mL diluent containing 0.3% (w/v) metacresol in Sterile Water for Injection NDC 44087-2080-1

5 click.easy[®] cartridges of 8.8 mg (8 mg/mL) Saizen[®] and 1.10 mL diluent containing 0.3% (w/v) metacresol in Sterile Water for injection NDC 44087-2080-5

Rx Only

October 2007

Manufactured for: EMD Serono, Inc., Rockland, MA 02370 USA

® - Registered trademark of EMD Serono, Inc., Rockland, MA 02370

-----tear off-----

click.easy Reconstitution Device

Saizen®

[somatropin (rDNA origin) for injection]

INSTRUCTIONS FOR USE

For complete dosing and safety information, please refer to the Saizen® [somatropin (rDNA origin) for injection] Package Insert.
--

COMPOSITION

Each vial of Saizen® 8.8 mg contained in the **8.0 mg/mL click.easy®** device contains the following ingredients:

- Active substance: Somatropin (Recombinant Human Growth Hormone) 8.8 mg.
- Excipients: Sucrose, Phosphoric acid, Sodium Hydroxide; 1 mL of the reconstituted Saizen® solution contains 8.0 mg of somatropin when reconstituted with the contents of the diluent cartridge.

Each vial of Saizen® 8.8 mg contained in the **5.83 mg/mL click.easy®** device contains the following ingredients:

- Active substance: Somatropin (Recombinant Human Growth Hormone) 8.8 mg.
- Excipients: Sucrose, Phosphoric acid, Sodium Hydroxide; 1 ml of the reconstituted Saizen solution contains 5.83 mg of somatropin when reconstituted with the contents of the diluent cartridge.

Each vial of Saizen® 4 mg contained in the **1.5 mg/mL click.easy®** device contains the following ingredients:

- Active substance: Somatropin (Recombinant Human Growth Hormone) 4 mg.
- Excipients: Sucrose, Phosphoric acid, Sodium Hydroxide; 1 mL of the reconstituted Saizen® solution contains 1.5 mg of somatropin when reconstituted with the contents of the diluent cartridge.

COMPOSITION OF DILUENT

Each cartridge of diluent contained in the click.easy® reconstitution device contains the following ingredients:

8.0 mg/mL click.easy®

- Active substance: Metacresol USP (3.27 mg)
- Excipients: Phosphoric acid 85% to adjust pH, Water for Injection, USP (1.10 mL)

5.83 mg/mL click.easy®

- Active substance: Metacresol USP (4.52 mg)

- Excipients: Phosphoric acid 85% to adjust pH, Water for Injection USP (1.51 mL)

1.5 mg/mL click.easy®

- Active substance: Metacresol USP (7.91 mg)
- Excipients: Phosphoric acid 85% to adjust pH, Water for Injection, USP (2.66 mL)

Patients with a known sensitivity to any of the above active substances or excipients should avoid using this product.

PHARMACEUTICAL FORM

Powder and diluent for solution for injection: Powder and diluent (0.3% (w/v) metacresol in water for injection) for parenteral use.

METHOD AND ROUTE OF ADMINISTRATION

The product (powder in vials) must be reconstituted with the enclosed diluent (0.3% (w/v) metacresol in water for injection) using the click.easy® reconstitution device.

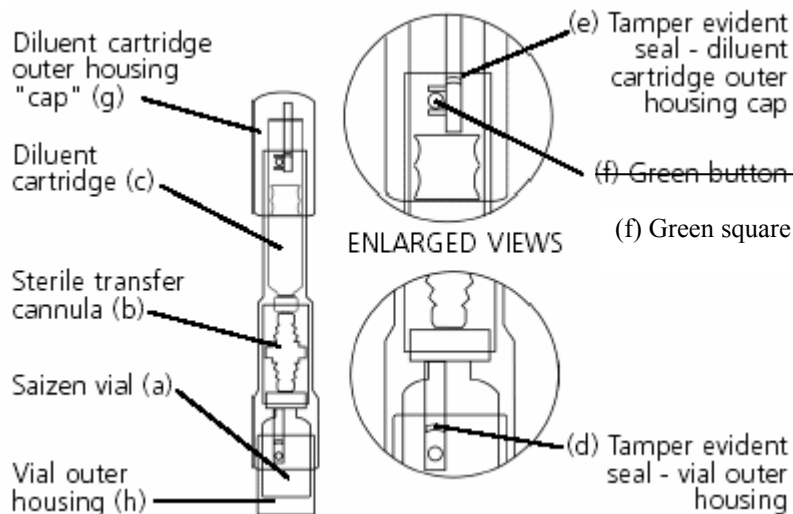
The reconstituted solution is intended for subcutaneous administration (under the skin) and should be clear with no particles. If the solution contains particles, it must not be injected.

IMPORTANT INFORMATION

Patients should be thoroughly instructed in the reconstitution procedure.

For young children, the reconstitution process should be supervised by an adult.

For administration of Saizen® contained in the click.easy® device, please read the following instruction carefully. Please consult your doctor or nurse or pharmacist if you have any questions concerning the reconstitution process.



- Check that the click.easy® reconstitution device contains an unused Saizen® vial (a) and an unused diluent cartridge (c).
- Do NOT use the device if the vial or cartridge appears to be empty or used and return it to your pharmacist or doctor.
- Wash your hands with soap and water.

HOW TO PREPARE YOUR SOLUTION OF SAIZEN®

1. Place the click.easy® device vertically on a flat surface with the Saizen® vial on the bottom and the diluent cartridge outer housing cap (g) on top facing upward.
2. Push on the top diluent cartridge outer housing cap (g) firmly until the Saizen® vial outer housing (h) is completely inside the main body. (This step breaks the tamper evident seal on the vial.
3. Turn the diluent cartridge outer housing cap (g) clockwise until the green square (f) is visible at the lower end of the narrow rectangular opening. Push the diluent cartridge outer housing cap down very slowly until it will go no further and the green colored square appears at the upper end of the narrow rectangular opening.


Check that all the diluent has been transferred into the vial. Dissolve the Saizen® powder with the diluent by gently swirling the click.easy® device (Note: Do not transfer the diluent forcefully or shake the click.easy device. A fast transfer of the diluent or shaking of the click.easy device will create more foam). Let the solution stand for 2-5 minutes until the Saizen® powder is completely dissolved.

4. Turn the click.easy® device upside down so the Saizen® vial is now on top and pull the diluent cartridge outer housing cap slowly downwards until the solution is completely drawn back into the cartridge. Check that no more than one or two drops of solution remain in the vial.
5. If there are more than one or two drops of solution remaining in the vial, slowly push the diluent cartridge outer housing cap up until some of the solution is back in the vial and gently tap the click.easy® device. Then draw the solution slowly again back into the cartridge.
6. Remove any excess air that has been drawn into the cartridge by pushing slowly the cap up until no air bubble is visible in the cartridge. There should be no air bubble in the cartridge. (Note: Avoid pulling the cap down too fast, as this will draw air into the cartridge).
7. Turn the click.easy® device so that the cap is again on the top. Unscrew the cap and remove it.
8. Remove the cartridge containing the reconstituted Saizen® solution from the click.easy® device by grasping the end of the cartridge and pulling straight out of the outer housing.
9. Carefully peel off the outer white label on the cartridge using the tab provided by slowly pulling in the direction of the black arrow.


Sample Label


L6530101C

Lot No:
Exp. Date:



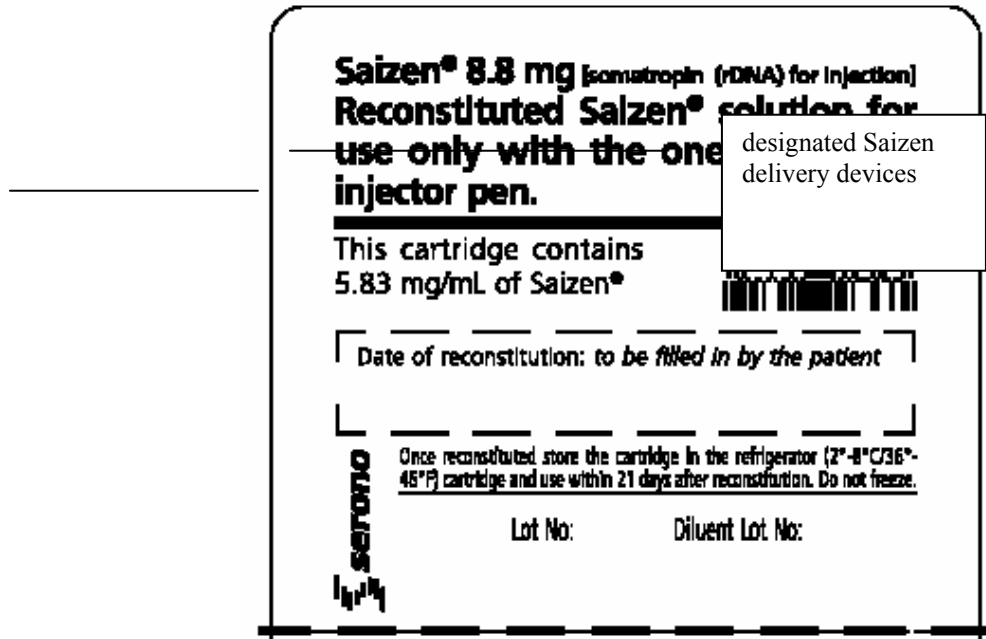
**Diluent for 1.51 mL 7 mL
(0.3 % (w/v) metacresol in water
for injection) for reconstitution
of Salzen® 8.8 mg in the
click.easy® device.**

L6530101A 



10. Write the reconstitution date on the transparent inner label on the cartridge. This cartridge now contains the reconstituted Saizen® solution that will be used for your treatment.

Sample Label



11. The cartridge containing the reconstituted Saizen® solution is now ready to be used (Note: Please read the instruction manual provided with the injection device for instruction on how to inject the reconstituted Saizen® solution from the cartridge).

12. The Saizen® reconstituted solution should be stored in a refrigerator (2°-8°C / 36°-46°F) and should be used within 21 days after reconstitution. Do not freeze.

13. Discard the click.easy® device containing the empty Saizen® vial safely in accordance with your local requirements. It is not necessary to remove the empty Saizen® vial from the click.easy® device prior to disposal.

Injections should be given in different parts of your body. Do not use any areas in which you feel lumps, firm knots, depressions, or pain; talk to your doctor or healthcare professional about anything you find. Clean the skin at the injection site with soap and water.

STABILITY AND STORAGE

Vials of Saizen® pre-assembled in the click.easy® reconstitution device should be stored in the original package at room temperature (15°-30°C / 59°-86°F).

Saizen® reconstituted solution should be stored in a refrigerator (2°-8°C / 36°-46°F) and should be used within 21 days after reconstitution.

Do not freeze.

HOW SUPPLIED

Saizen® contained in the click.easy® device is available in the following pack sizes:

- 1 vial of Saizen® 8.8 mg product and 1 cartridge of 1.10 mL diluent pre-assembled in 1 reconstitution device (click.easy®) comprising 1 device housing and 1 sterile transfer cannula NDC 44087-1089-1
- 5 vials of Saizen® 8.8 mg product and 5 cartridges of 1.10 mL diluent pre-assembled in 5 reconstitution devices (click.easy®) comprising each 1 device housing and 1 sterile transfer cannula NDC 44087-1089-2
- 1 vial of Saizen® 8.8 mg product and 1 cartridge of 1.51 mL diluent pre-assembled in 1 reconstitution device (click.easy®) comprising 1 device housing and 1 sterile transfer cannula. NDC 44087-xxxx-x
- 5 vials of Saizen® 8.8 mg product and 5 cartridges of 1.51 mL diluent pre-assembled in 5 reconstitution devices (click.easy®) comprising each 1 device housing and 1 sterile transfer cannula. NDC 44087-xxxx-x
- 1 vial of Saizen® 4 mg product and 1 cartridge of 2.66 mL diluent pre-assembled in 1 reconstitution device (click.easy®) comprising 1 device housing and 1 sterile transfer cannula NDC 44087-xxxx-x
- 5 vials of Saizen® 4 mg product and 5 cartridges of 2.66 mL diluent pre-assembled in 5 reconstitution devices (click.easy®) comprising each 1 device housing and 1 sterile transfer cannula NDC 44087-xxxx-x

Manufactured for:

EMD Serono Inc., Rockland, MA 02370

Rx Only BX Rated

October 2007